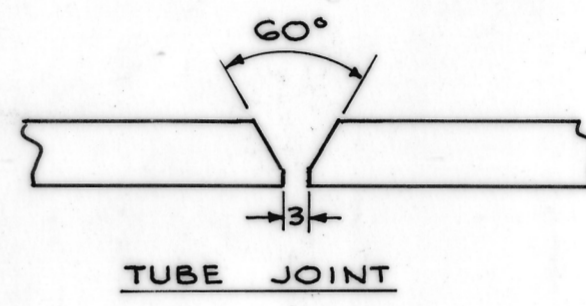
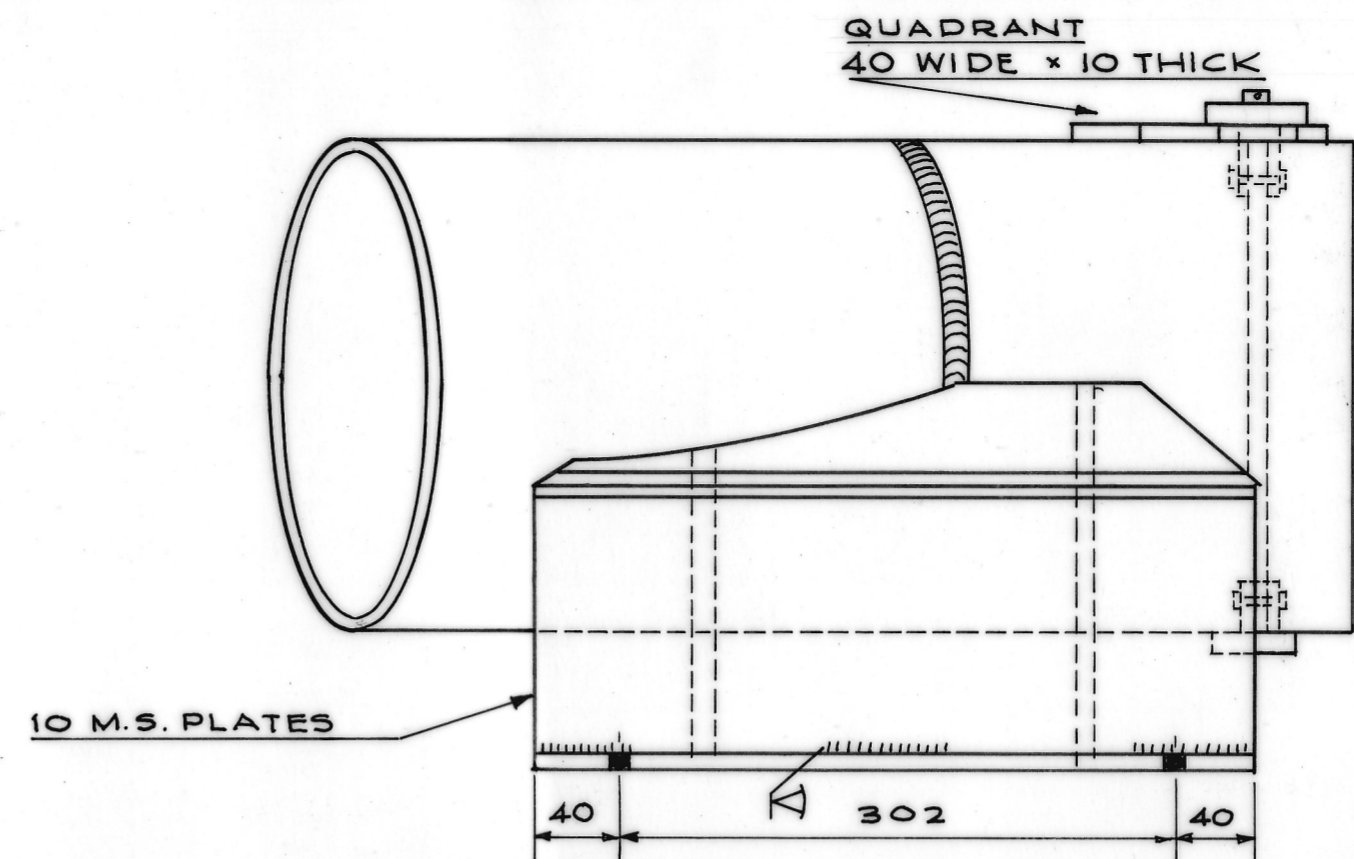
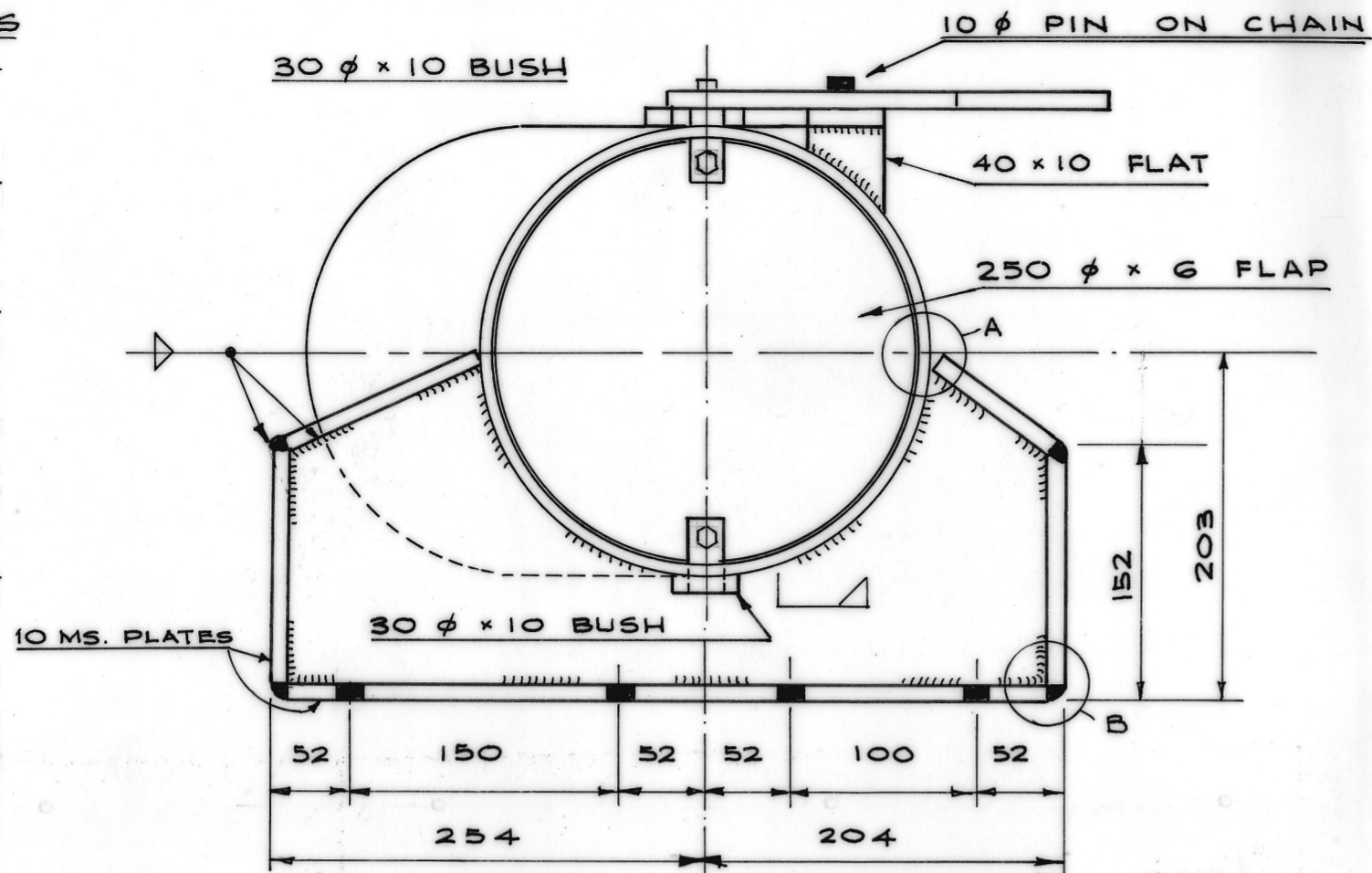
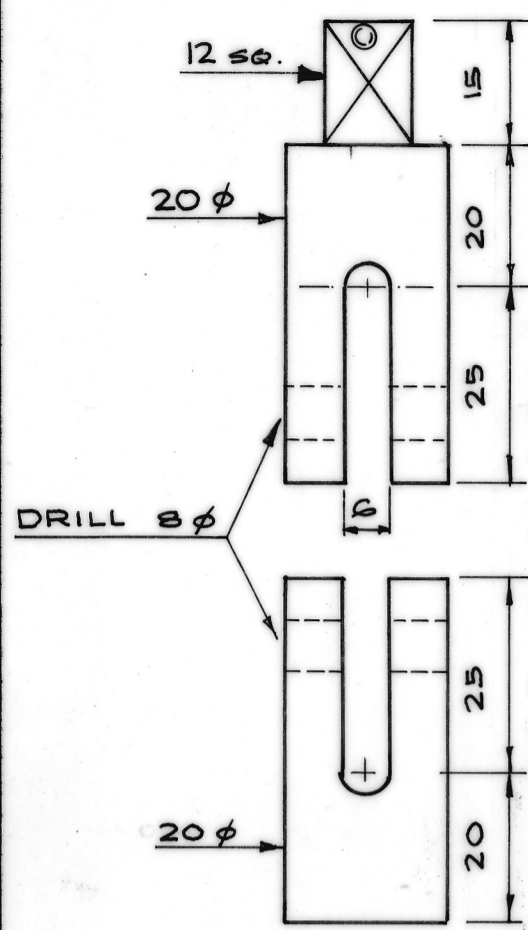
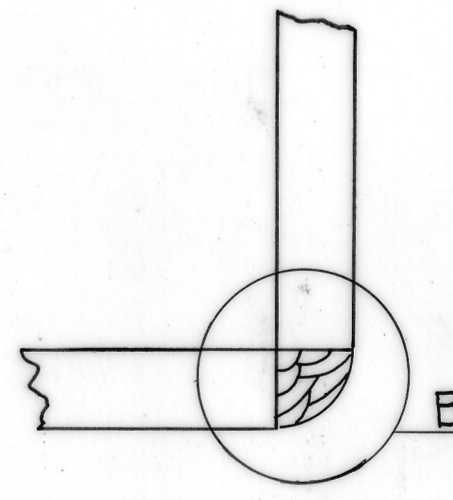
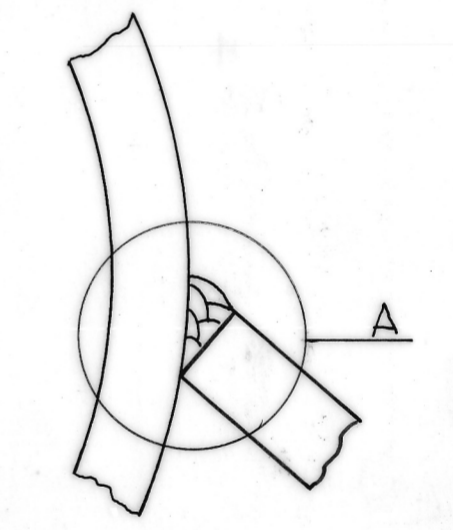
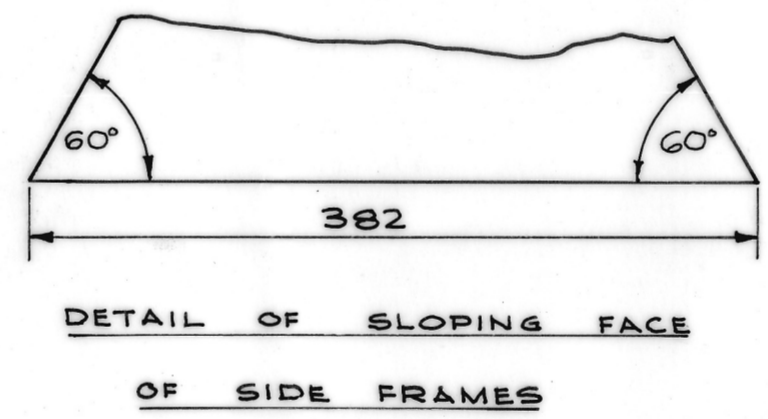
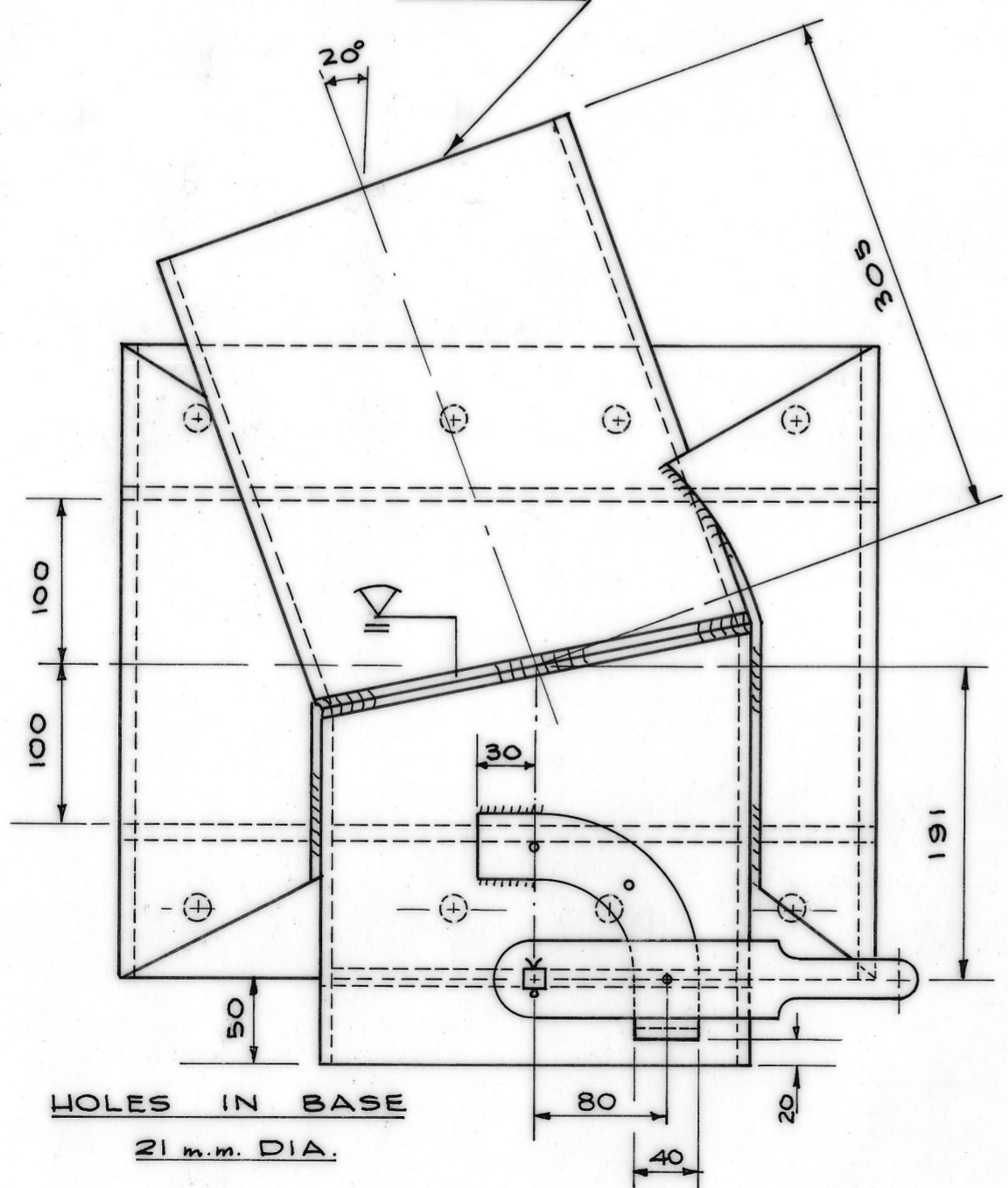


DETAIL OF PIVOTS

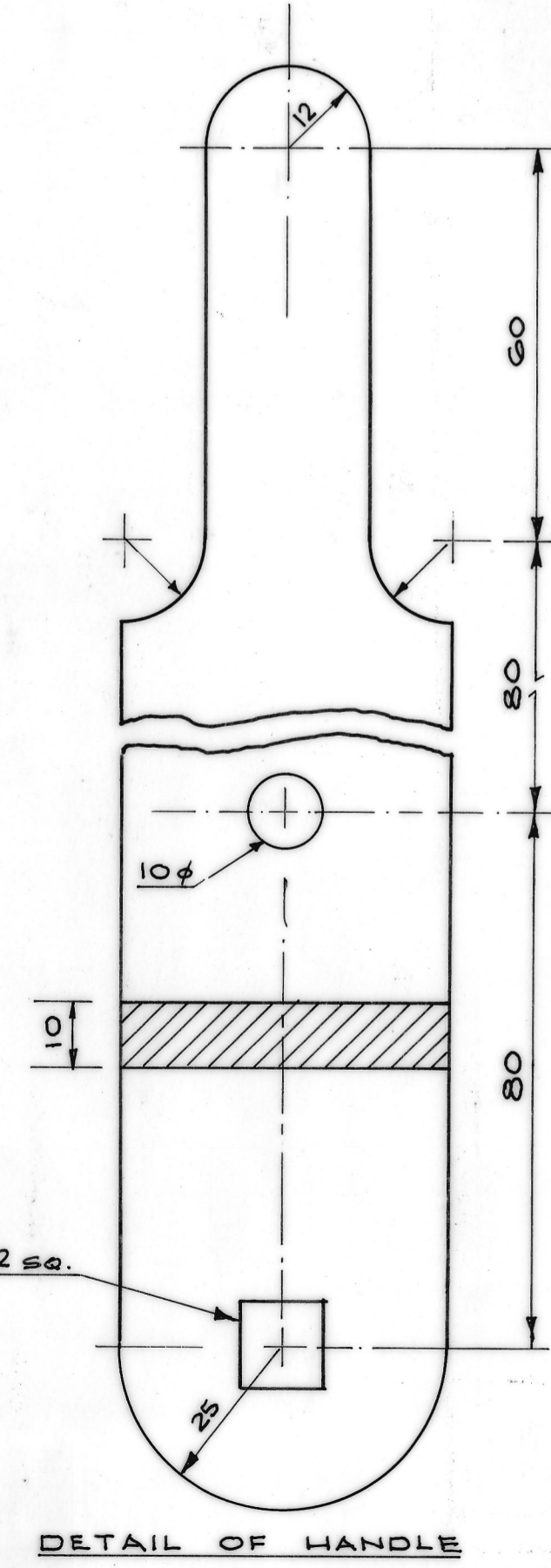


270 O.D. x 10 WALL
M.S. TUBE



MATERIAL: MILD STEEL
TOLERANCE ON DIMENSIONS ± 1.M.M.
DIMENSIONS IN M.M.
ALL WELDS NOT TO EXCEED 76 M.M.
IN LENGTH FOR EXAMINATION AND
PREPARATION OF WORK.

MATERIAL LIST		
MAT	No.	SIZE
PLT	2	400 x 10 x 200
Rd.BAR	1	20 φ x 130
PLT.	1.	40 x 10 x 60
PLT.	1.	260 x 6 x 260
PLT.	2	45 x 10 x 45
PLT	1	150 x 10 x 150
PLT.	1	50 x 10 x 280
TUBE	1	274 x 10 x 300
TUBE	1	274 x 10 x 350
PLT.	1	400 x 10 x 500
PLT	2	400 x 10 x 220
PLT	2	400 x 10 x 200
2 HEX. HEAD BOLTS NUTS AND SPRING- WASHERS		
1 SPLIT PIN		
LIGHT KEEPER CHAIN		
1 PIN 10 φ x 30		
A QUANTITY OF TEMPLATE CARDBOARD		



VORSCHLAG DER TECHNISCHEN EXPERTEN VON				IRELAND	
Kontrolle	Datum	Name	Vorname	XVII. INTERNATIONALER BERUFSWETTBEWERB Das General Sekretariat Technisches Büro	
				Masstab	Beruf
				1:4	CONSTRUCTIONAL STEEL
				TIME 22 HOURS	